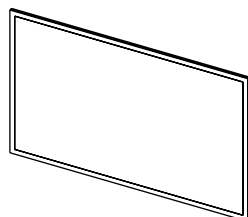
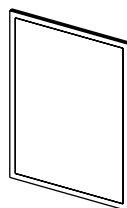


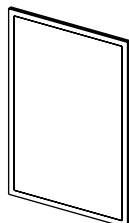
Diaz 500.40.70



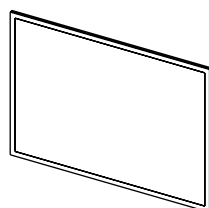
Diaz 500.40.71



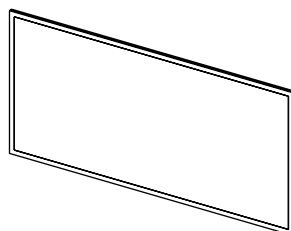
Diaz 500.40.72



Diaz 500.40.73



Diaz 500.40.74



Diaz 500.40.75



HANDLE WITH CARE!

When unpacking never stand the unit on a hard surface. Always lay flat on a soft surface.

To avoid the risk of electrocution, please turn off the electricity mains supply before commencing installation.

Please do not hang or drape clothing or material over the mirror. LEDs can get very hot and this may cause a fire risk.

Please do not place objects too close to the LEDs as this will cause the object to burn or melt.

Please read these instructions carefully before installation.

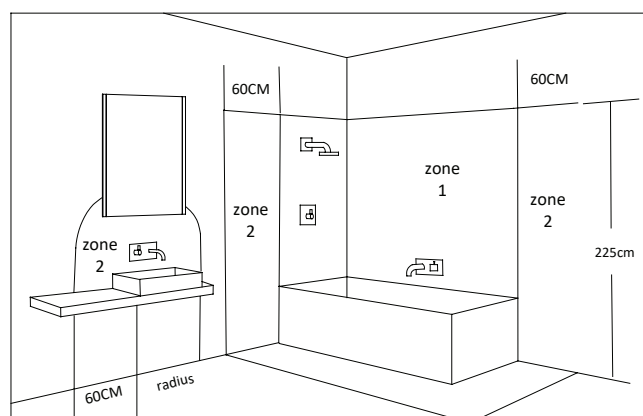
Installation should be carried out by a qualified electrician.

GENERAL

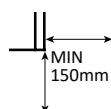


- THIS PRODUCT CONFORMS TO UK SAFETY STANDARDS AND MUST BE INSTALLED IN ACCORDANCE WITH CURRENT IEE WIRING REGULATIONS AND BUILDING REGULATIONS (PART P).
- THIS PRODUCT MUST BE EARTHED, AND SHOULD NOT BE CONNECTED TO AN UNEARTHED CIRCUIT.
- ENSURE THAT CONNECTIONS ARE TURNED OFF AT THE CONSUMER UNIT OR FUSE BOARD BEFORE INSTALLING OR CARRYING OUT ANY MAINTENANCE.
- THIS PRODUCT IS FOR INDOOR USE ONLY.
- THIS PRODUCT IS IP44 RATED AND CAN BE INSTALLED IN BATHROOM ZONE 2 (AS DEFINED BY THE IEE WIRING REGULATIONS) AND BEYOND. SEE BATHROOM DIAGRAM.
- THE PRODUCT IS SUITABLE FOR INSTALLATION IN ZONE 2 OR HIGHER.
- IF THIS PRODUCT FEATURES REPLACEABLE BULBS THEN REPLACE FAILED BULBS IMMEDIATELY. ALLOW THE GLASS, LAMP AND FITTING TO COOL BEFORE REPLACING.

IEE Bathroom Zones



IMPORTANT



To ensure correct function of the sensor this product must be installed with a minimum distance of 150mm between the infrared sensor and any adjacent worktop, surface, obstruction or tile trim.

- When working at heights, please use a suitable platform to work from.
- Please note: For new installations, check for any electrical cables or pipe work (gas/water) in the vicinity of the intended mounting point before proceeding with the installation.
- Ensure that the fixing location is able to take the weight of the complete fitting.
- Wear suitable eye protection when drilling. Be careful when using power tools near water.

Do NOT strike mirror glass with hard or pointed items. It is recommended that the product is cleaned with a soft, dry, non abrasive cloth. Do NOT use cleaning agents or abrasive materials on any type of finished surface. Do NOT allow moisture to come into contact with the electrical components. Keep your bathroom well ventilated where possible.

COMPLIANCE

This product complies with the following safety standards: BS EN 60598-1: 2008+A11: 2009, EN60598-2-1: 1989

WIRING

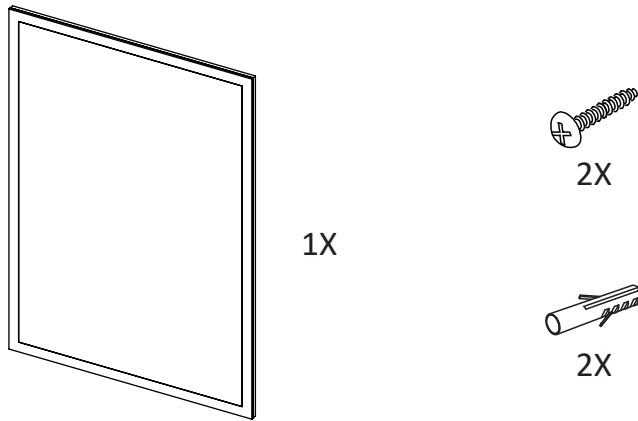
This product is designed and manufactured in the Class 1 category, meaning a ground wire is required.

COLOUR CODING

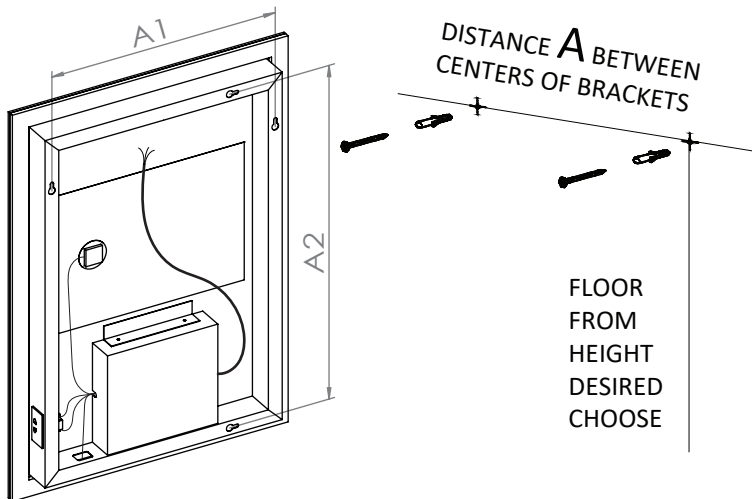
LIVE Brown
NEUTRAL Blue
⊕ EARTH Green & Yellow

Installation Procedure

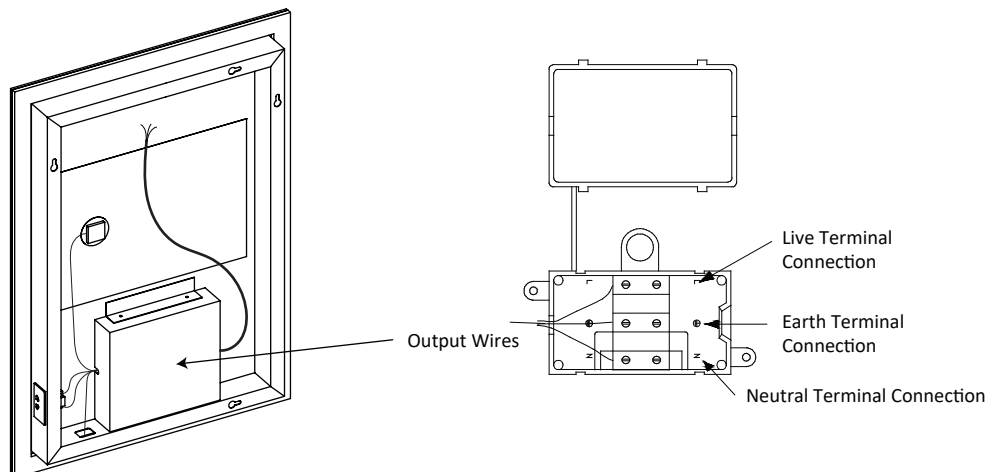
1. Open the carton and make sure all the parts listed below are present



2. Mark a desired height of the mirror. Drill the required holes and insert the wall plugs. Note: Wall plugs supplied are only suitable for solid stone/brick walls. Please ensure the screws are fully tight.

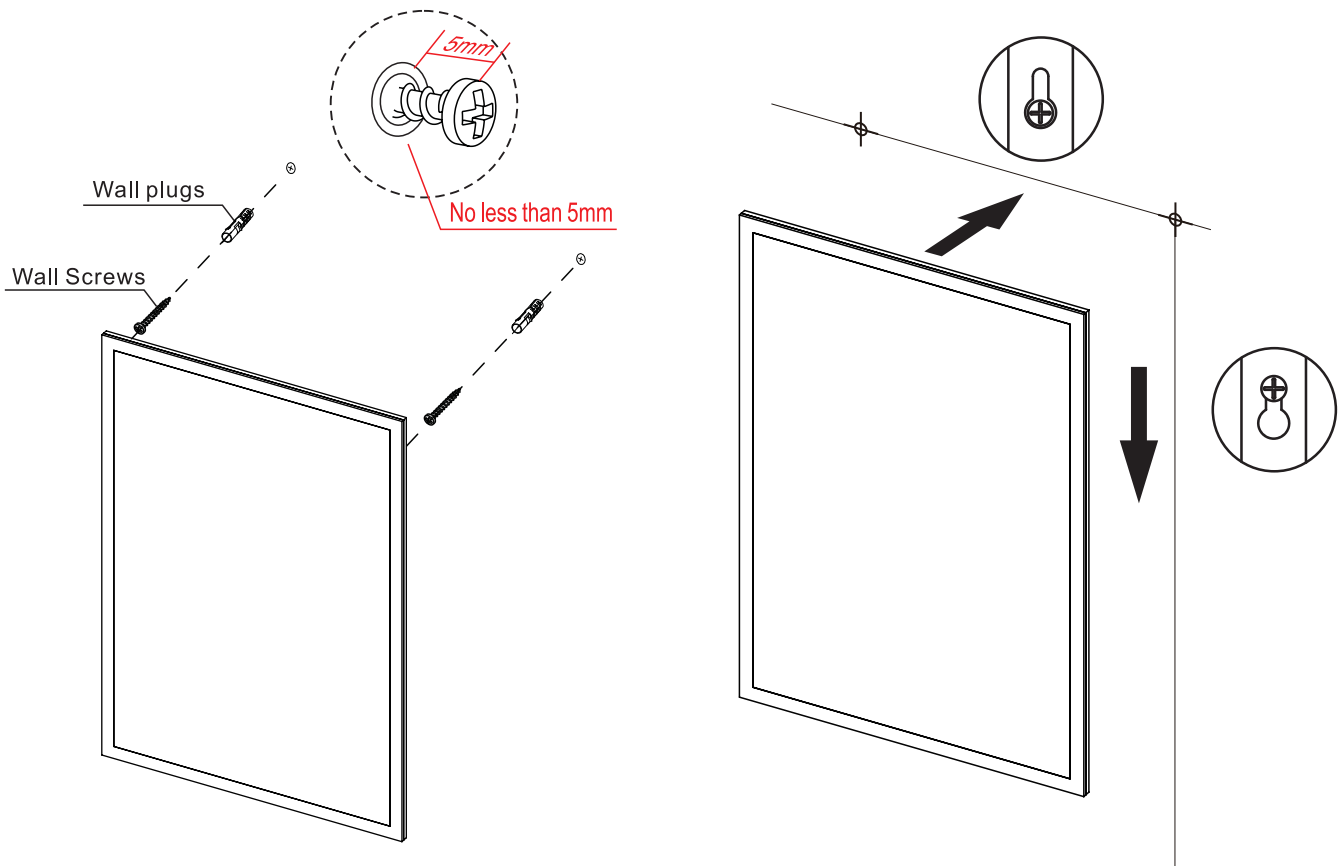


3. Make the electrical connections ensuring first that the electrical supply has been turned off. This mirror is a class 1 product and requires an earth connection. It should be installed in accordance with the latest IEE regulations.



Installation Procedure

4. Hang the mirror onto the wall.



Caution: To avoid interference, the sensor must be placed a minimum of 150mm away from any object/surface.

GUARANTEE

This product has a free replacement parts guaranteed in the UK for a period of 1 year from the date of purchase. The guarantee is invalid in the case of improper use, incorrect installation or tampering.

Should this product fail during the guarantee period, please contact our support team by email at support@pebblegrey.co.uk and we will replace the relevant component part free of charge.

Pebble Grey does not accept responsibility for any installation costs associated with the replacement of the component parts. Your statutory rights are not affected. Pebble Grey Ltd reserve the right to alter specifications without prior notice.

EXTENDED GUARANTEE

We offer an extended guarantee FREE OF CHARGE on selected products. Activate online within 30 days of purchase to qualify. For more information visit www.pebblegrey.co.uk/product-guarantee



DISPOSAL

Waste Electrical & Electronic Equipment Regulations (WEEE) requires that any of our products showing this mark (left) must not be disposed of with other household or commercial waste.

Pebble Grey Ltd does not levy any WEEE disposal charges to its customers for affected WEEE related products.

To prevent possible harm to the environment or human health from uncontrolled waste disposal, please separate any such product from other waste types and recycle it responsibly at your local facilities. Check with your Local Authority, Recycling Center or retailer for recycling advice.



100% RECYCLED CARTON

Our cardboard packaging is 100% recycled. Please dispose of all waste responsibly.